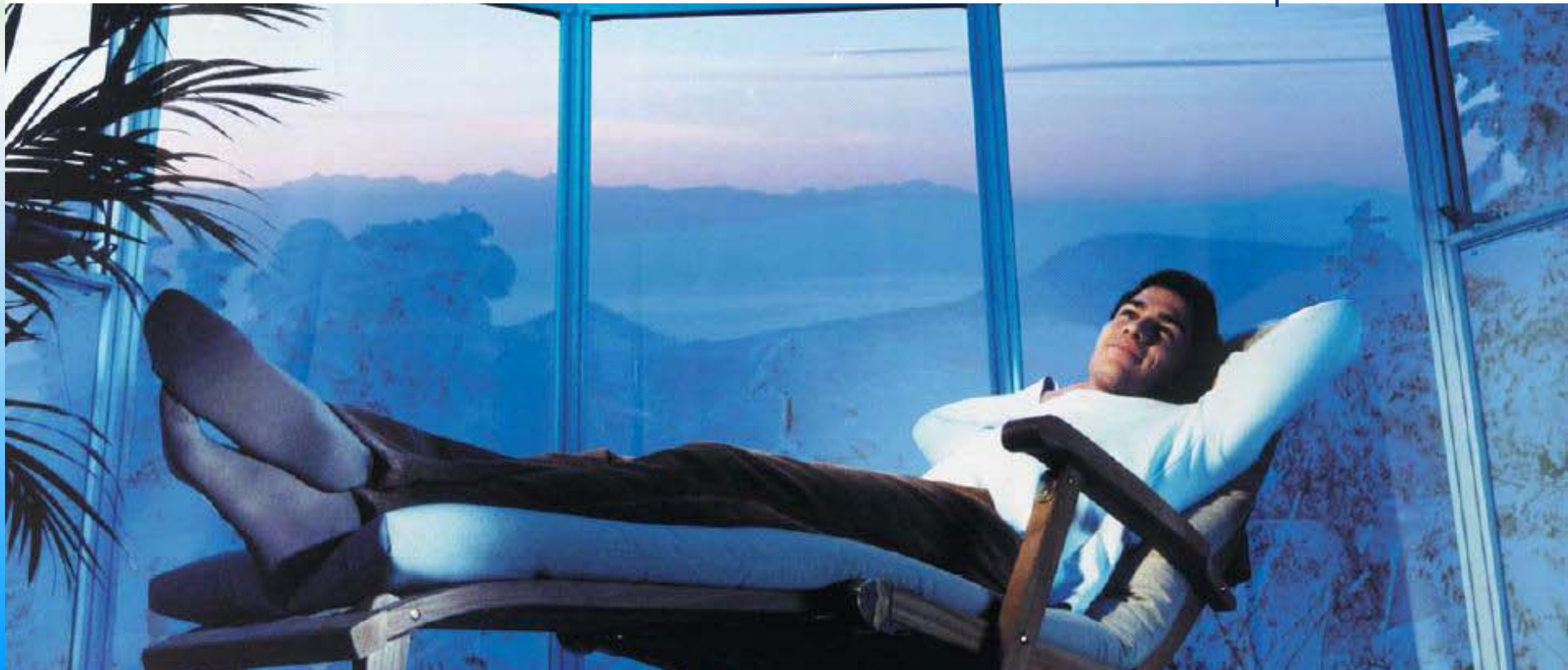




Bayer Sheet Europe

Installing

Makrolon multi sheets

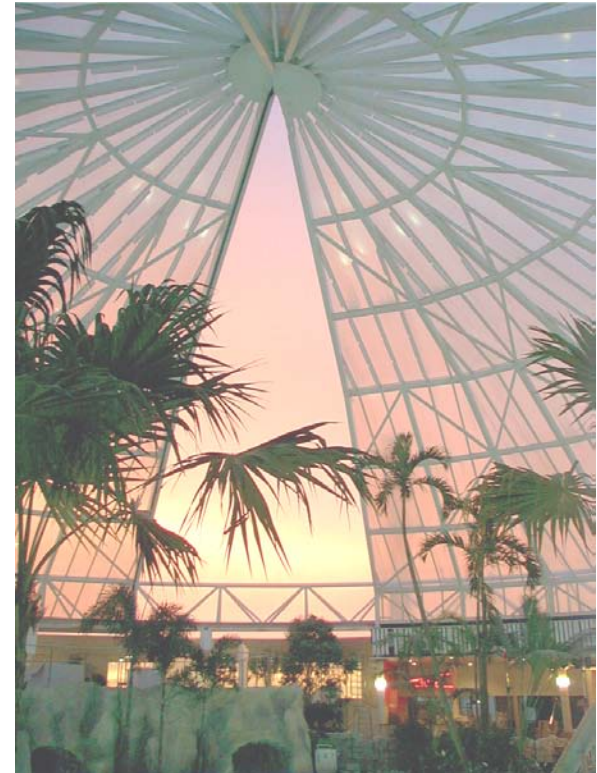




makrolon®

# It lets you meet the needs of your customers

---



Bayer Sheet Europe



makrolon®

# installing Makrolon® multi

---

## Overview

preparation

machining

installing

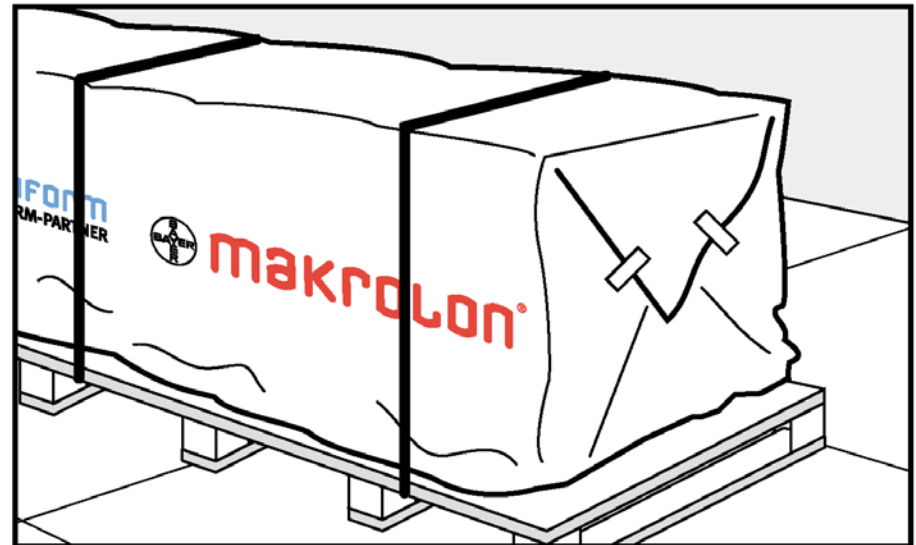


# Installing Makrolon® multi

## Preparation

storing:

- horizontally as possible
- indoors if possible
- if outdoors - cover with white polyethylene (PE) sheeting

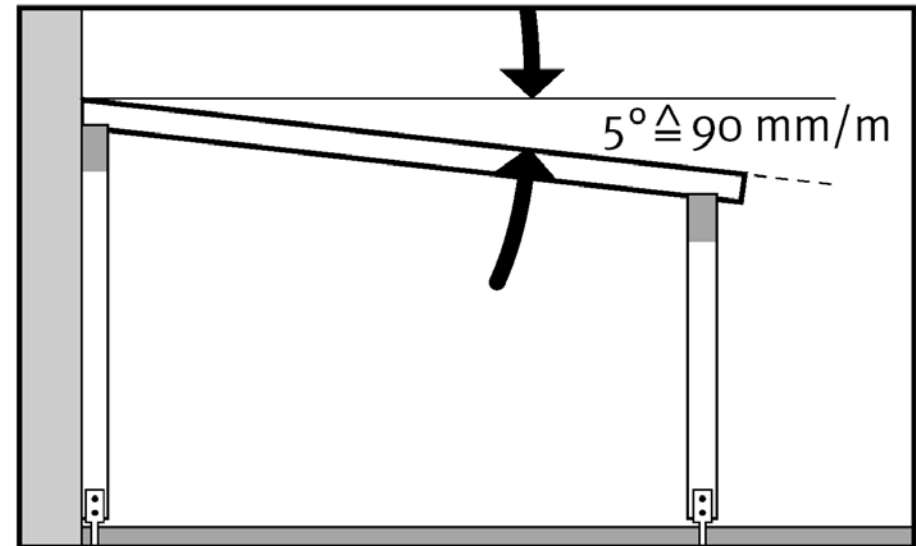


# Installing Makrolon<sup>®</sup> multi

## Preparation

### roof pitch

- ensures naturally cleaning by rain
- roof pitch of a minimum of 5% is recommended
- as higher the pitch as better rainwater including dirt flows off





# Installing Makrolon® multi

---

## Preparation

choice of product and support distances depending on

- given load
- application

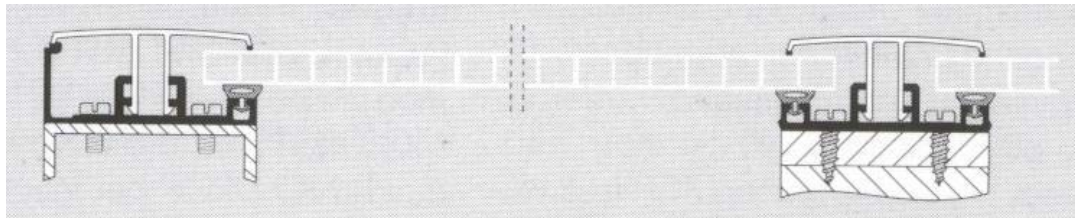
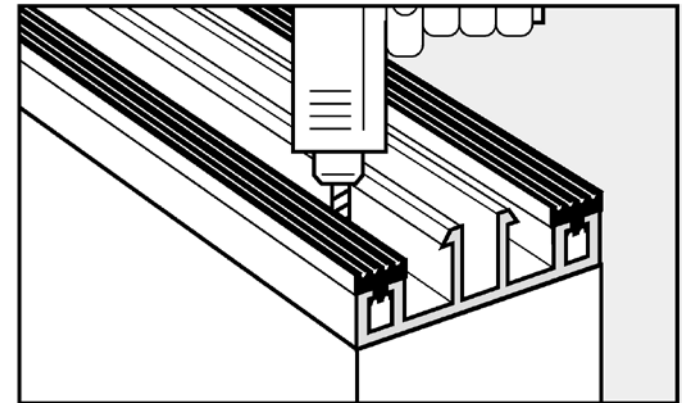
consult product data sheets



# Installing Makrolon® multi

## Preparation fastening

- use profile with EPDM rubber gaskets to evaluate the thermal extension
- fasten base profile on support construction
- use an edge section to close both sides of the roof

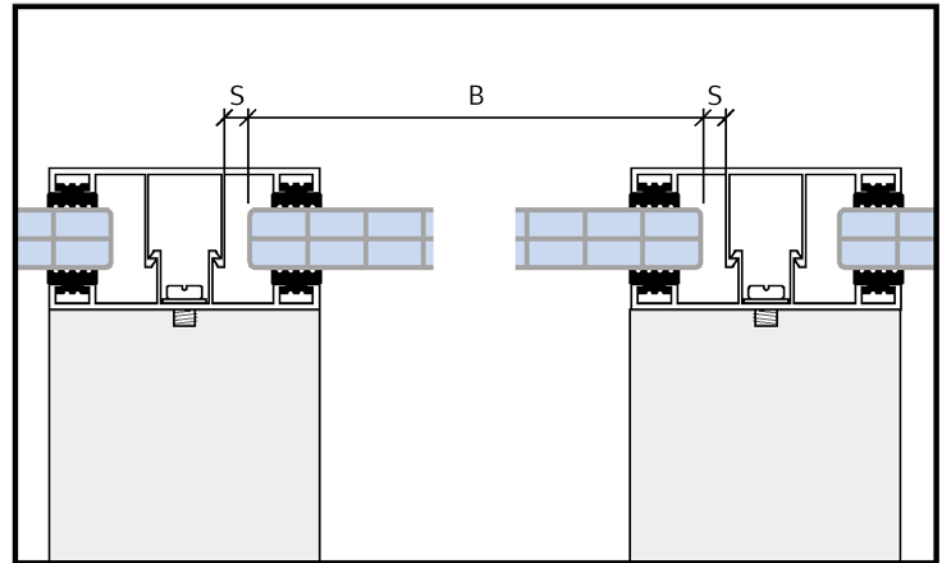


# Installing Makrolon<sup>®</sup> multi

## Preparation

clearance of the sheet/ width of sheet (B) is calculated from

- rafter spacing
- dimensions of chosen glazing profile
- necessary allowance of thermal expansion (S) (3 mm/m for Makrolon)

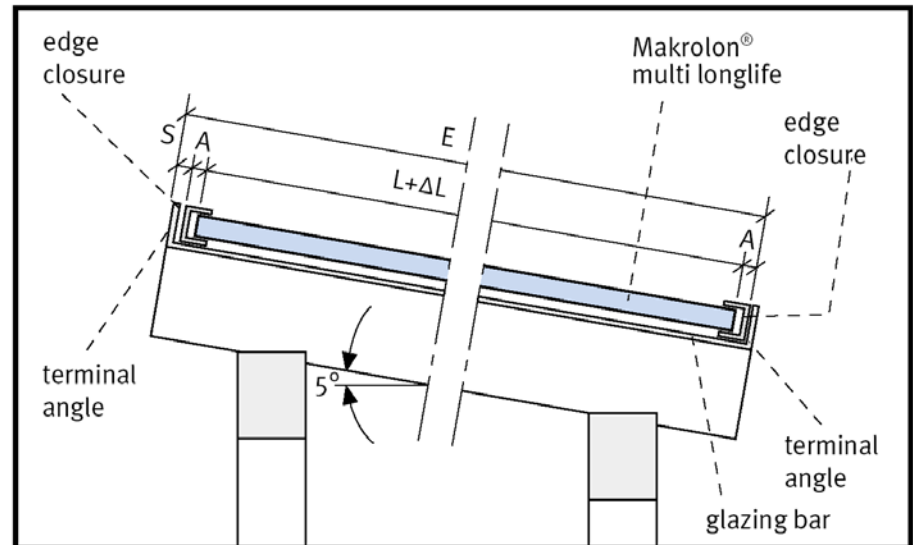


# Installing Makrolon<sup>®</sup> multi

## Preparation

correct order length of the sheet is determined by

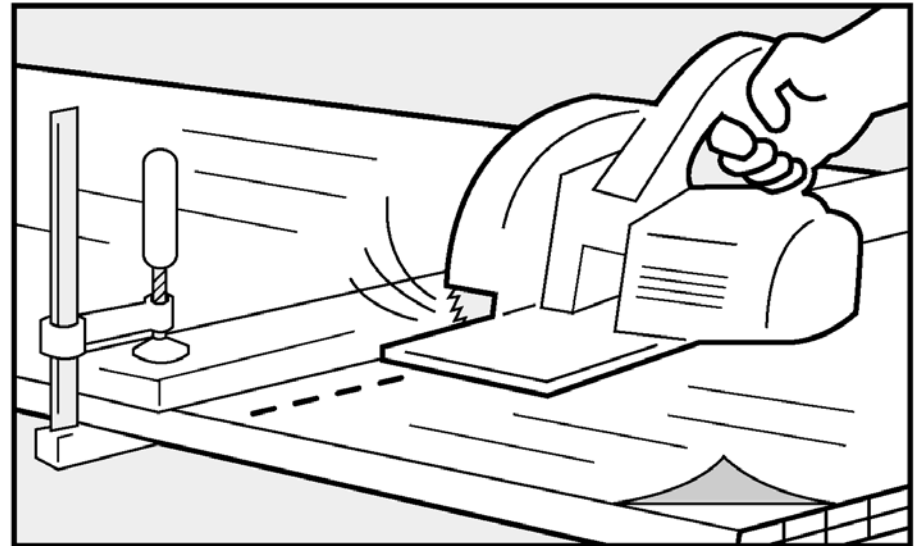
- **E = maximum clearance between lower stop and upper end**
- **A = length in mm added to the closure profiles**
- **$\Delta L$  = tolerance of length according to sales handbook**
- **S = allowance of expansion**



# Installing Makrolon<sup>®</sup> multi

## Machining

- leave masking on the sheet until sheet has been installed
- marking on masking with pencil only
- use circular saws with unset, multi tooth carbide-tipped blades
- work with stop always

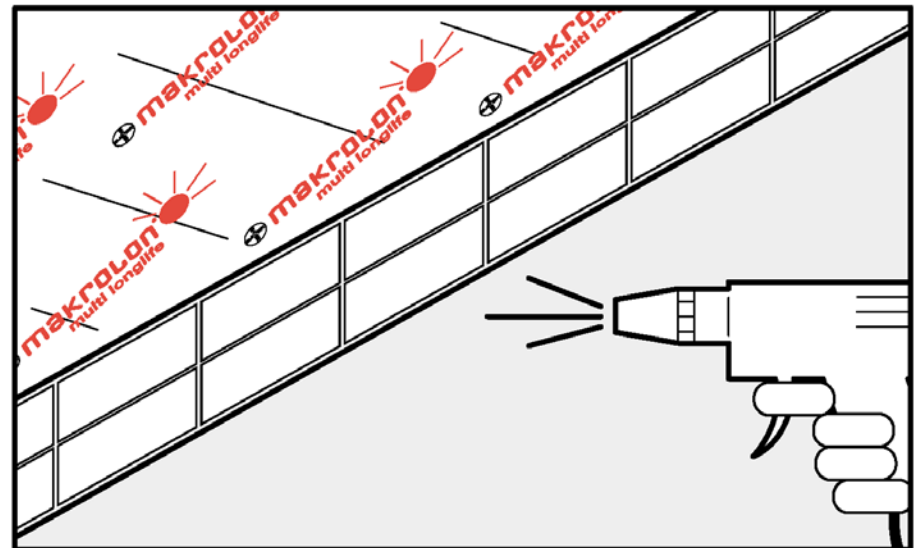


# Installing Makrolon® multi

## Machining

remove swarf with

- compressed air or
- vacuum cleaner

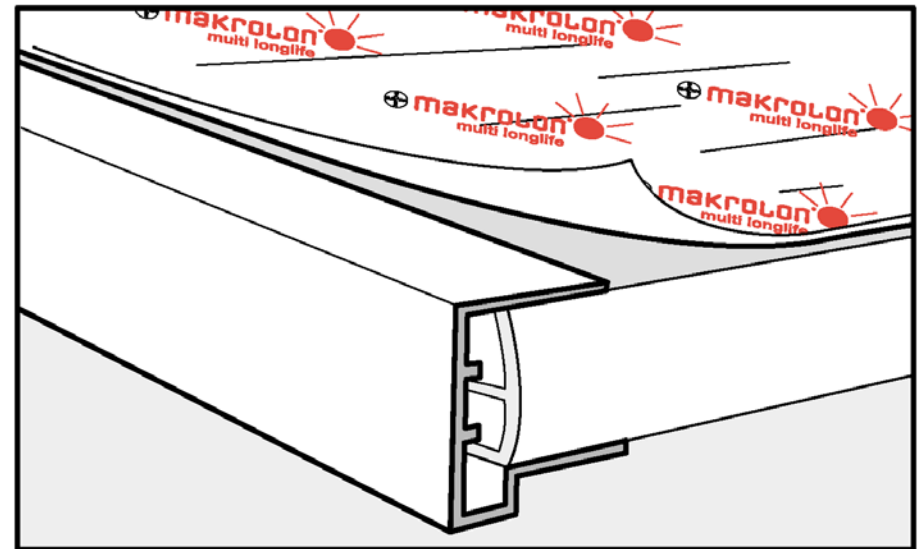


# Installing Makrolon® multi

## Machining

closing edges at open ends

- on top as tight as possible
  - cover with aluminium tape
  - push on aluminium end profile
- as tight as necessary at bottom
  - cover with aluminium end profile only

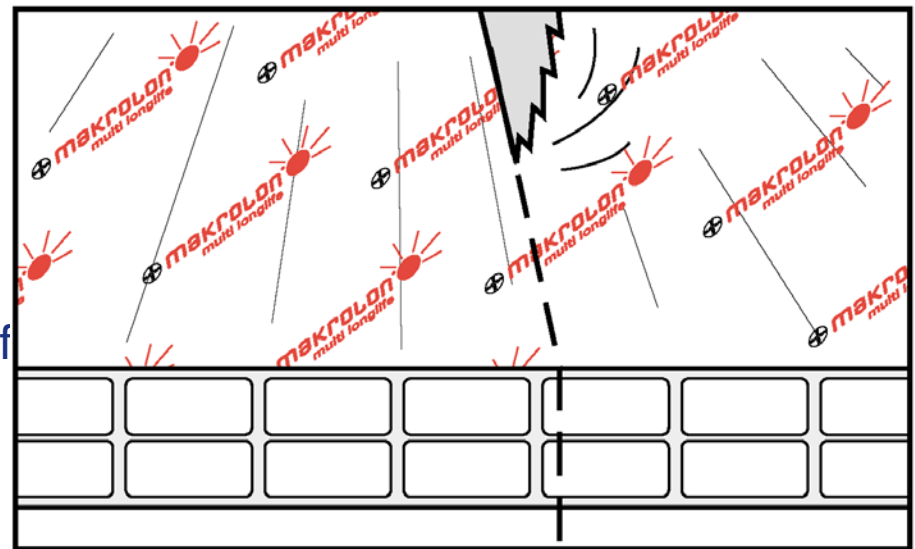


# Installing Makrolon® multi

## Machining

reduce width of sheet by sawing

- as close as possible last rib
- ensure optimum clamping of prof

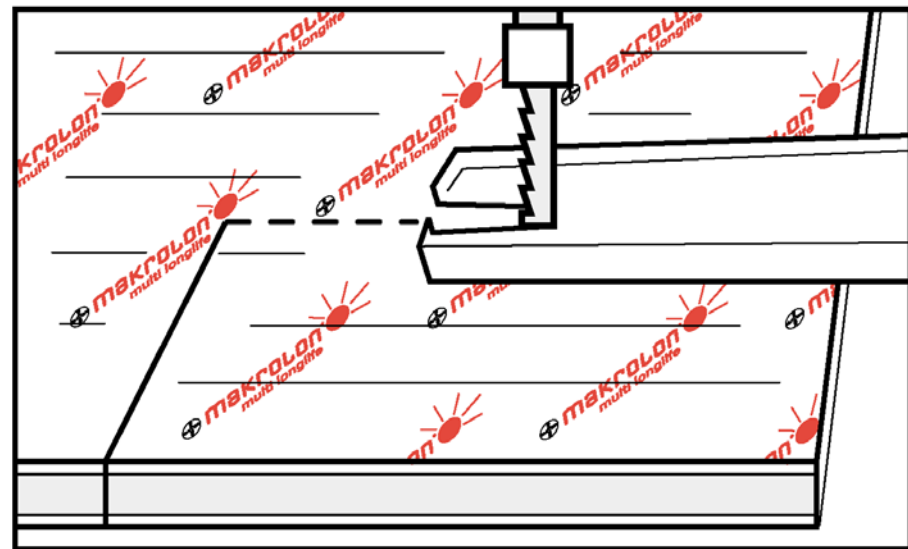


# Installing Makrolon® multi

## Machining

cutting corners for pipes or ventilations

- use ribbon saw pendulum

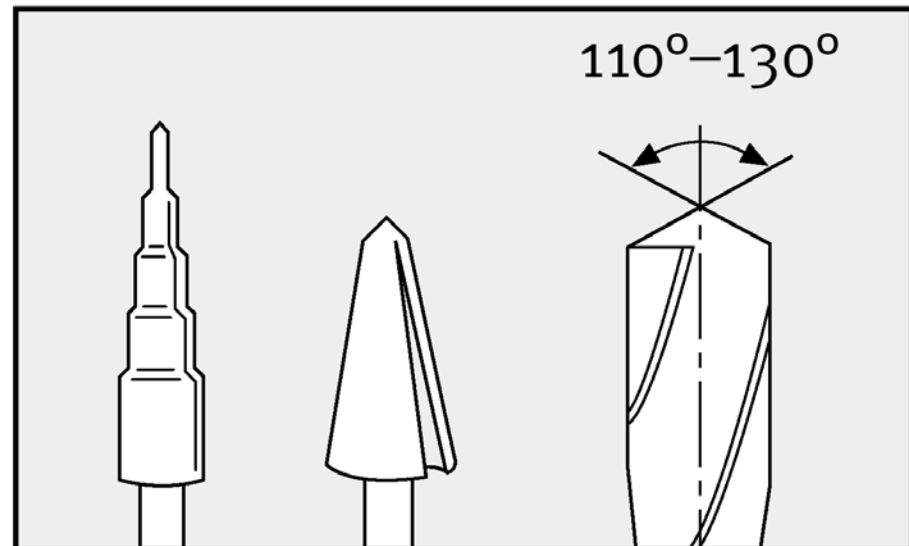


# Installing Makrolon<sup>®</sup> multi

## Machining

### drilling

- use twist, conical or step drills



# Installing Makrolon® multi

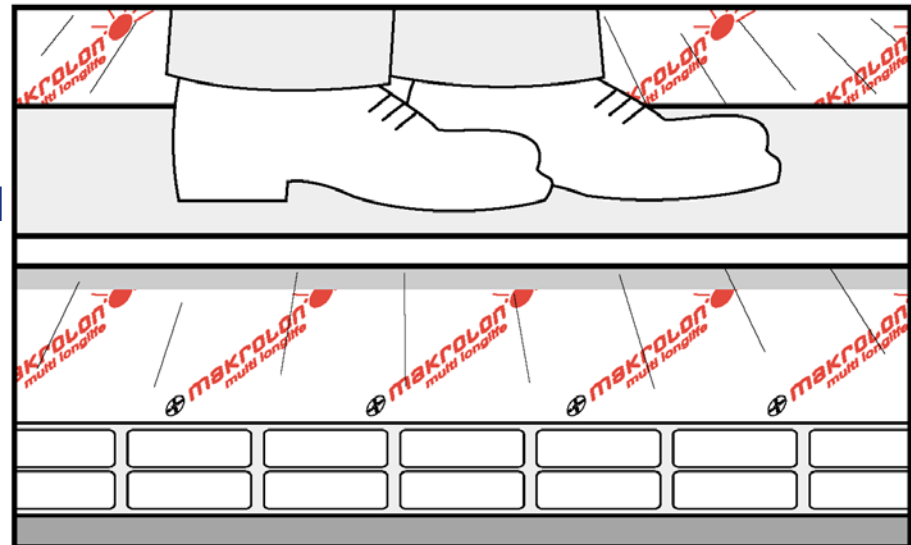
## Installing

place sheets on rafters  
face longlife side  
outwards always

- recognised by printed masking

avoid walking on sheets

- if necessary place planks across them

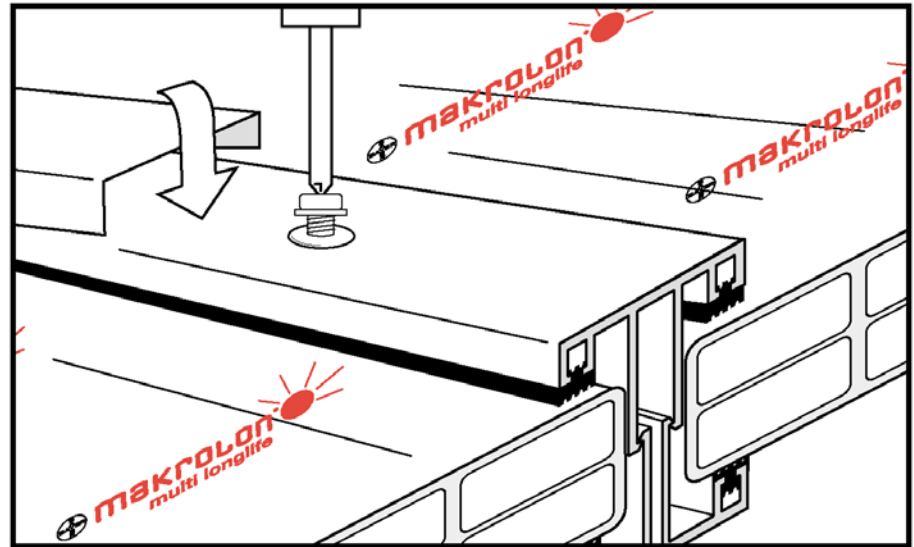


# Installing Makrolon® multi

## Installing

fasten upper profiles

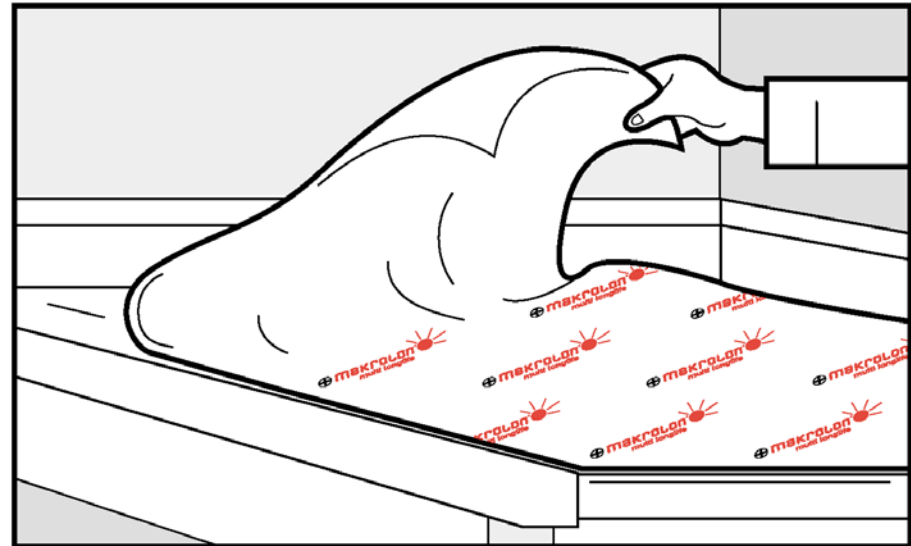
- with recommended screws with sealing
- depending on glazing system, cover profile is clipped on



# Installing Makrolon® multi

## Installing

finally remove protection  
masking



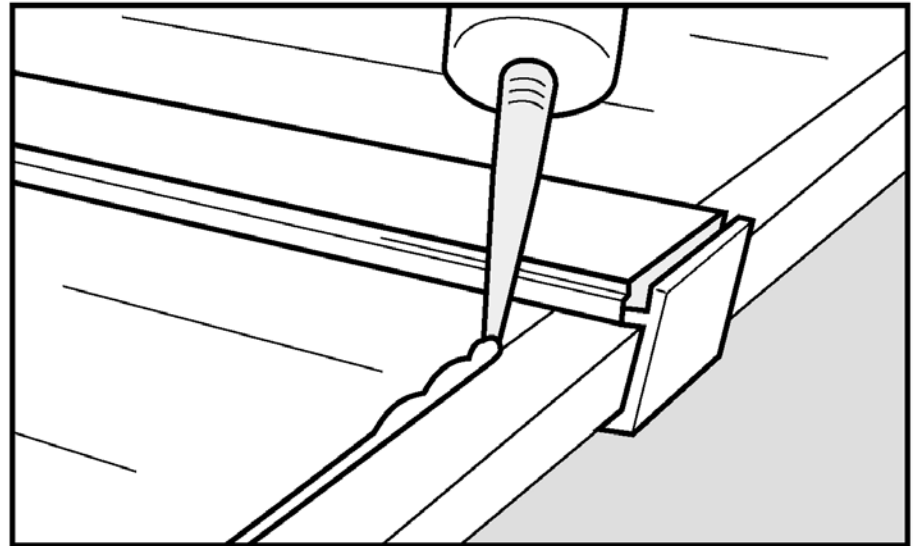
# Installing Makrolon<sup>®</sup> multi

---

## Installing

seal upper lip of end closure section

- with silicone rubber compatible with Makrolon
- wipe it smooth





# Installing Makrolon® multi

---

## Maintenance

we recommend a cleaning of sheets twice in one year

- because its soft surface use warm water and soft cloth only
- high-pressure cleaner
  - low pressure
  - keep distance to surface





Bayer Sheet Europe

Thank You for Your Attention

