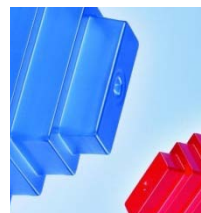
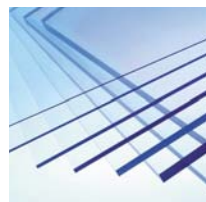




Bayer Sheet Europe

Reference Objects





makrolon®

Makrolon® polycarbonate sheets



Makrolon® multi UV
Multiwall sheets

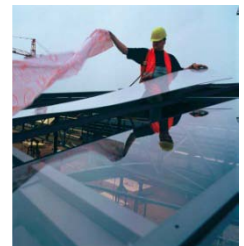


Bayer Sheet Europe



makrolon®

Easy to handle



Bayer Sheet Europe



makrolon®

Easy to handle



Bayer Sheet Europe



Stadium – Rheinenergie, Köln (Germany)

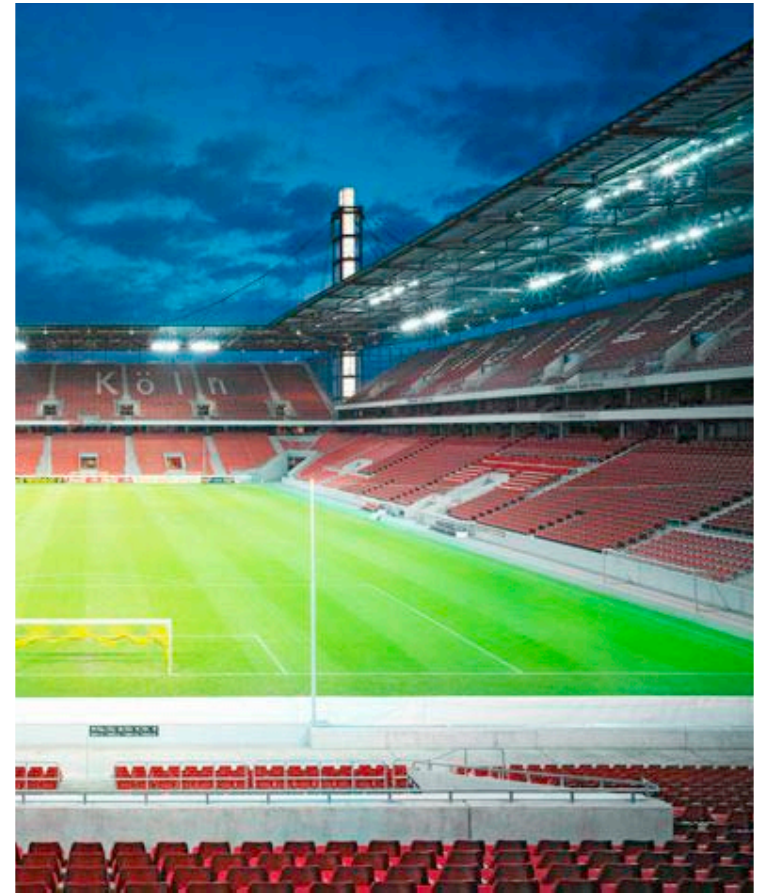
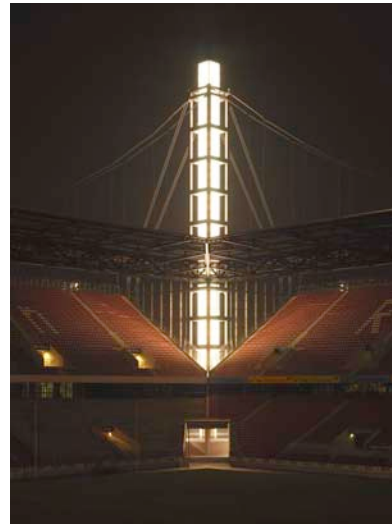
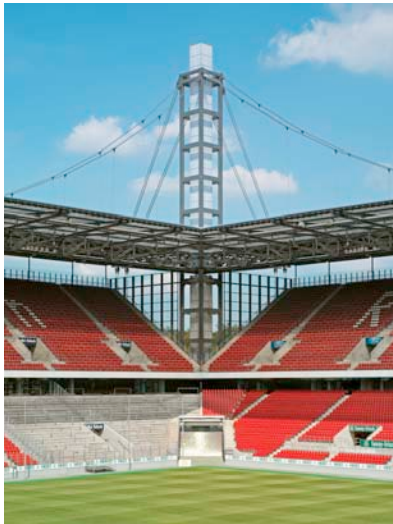
Year:

2003

Material:

Makrolon® multi UV

16 mm





makrolon®

Stadium, Frankfurt (Germany)

Year:

2005

Material:

Makrolon® multi UV



Bayer Sheet Europe



makrolon®

Stadium, Mönchengladbach (Germany)

Year:

2005

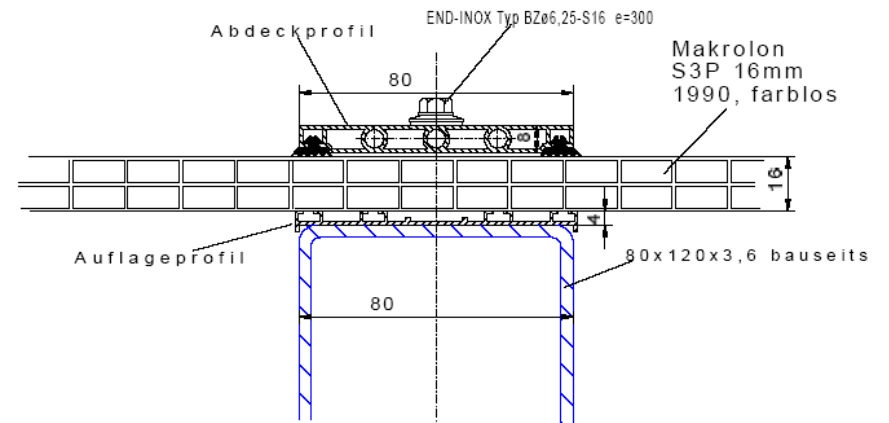
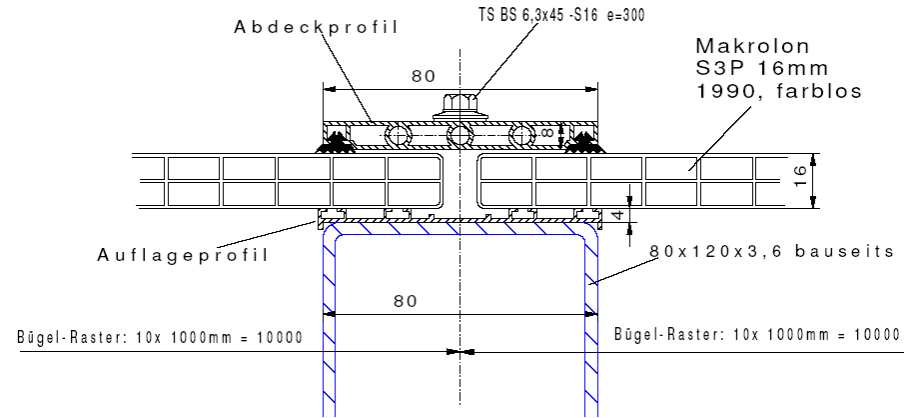
Material:

Makrolon® multi UV



Bayer Sheet Europe

Construction details





makrolon®

Stadium – BayArena, Leverkusen (Germany)

Year:

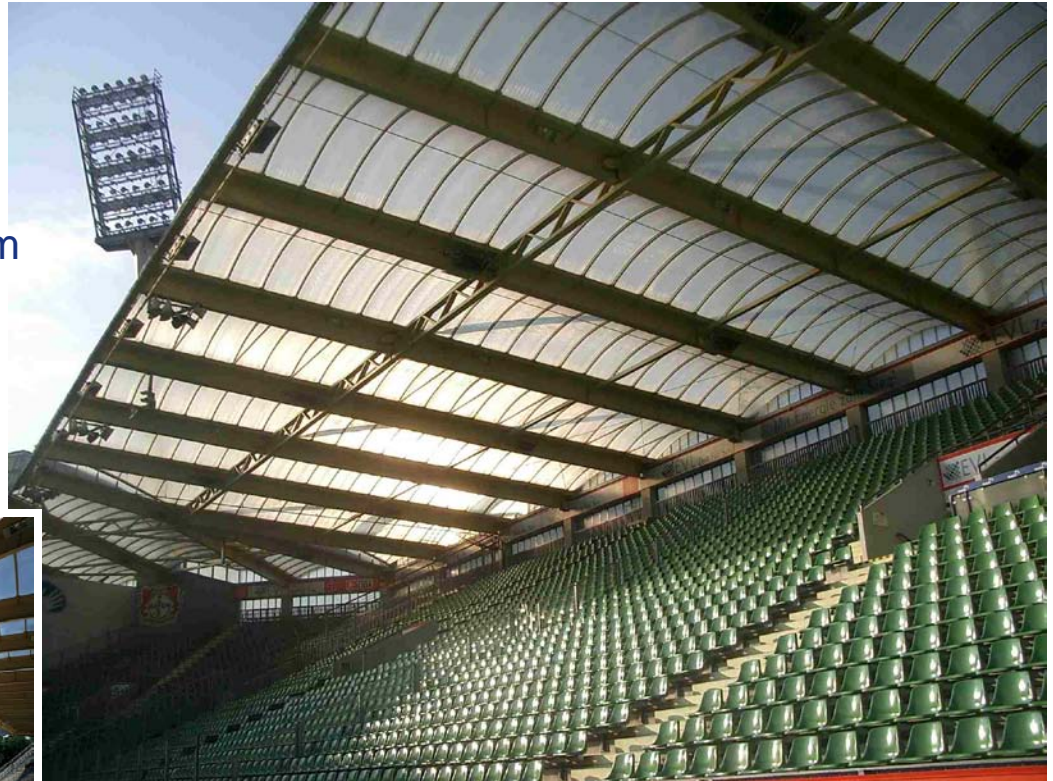
1990

Material:

Makrolon® multi UV , 16 mm

Architect:

Jörrisen and Partner,
Düsseldorf



Bayer Sheet Europe



makrolon®

Stadium – Heizel, Brussels (Belgium)

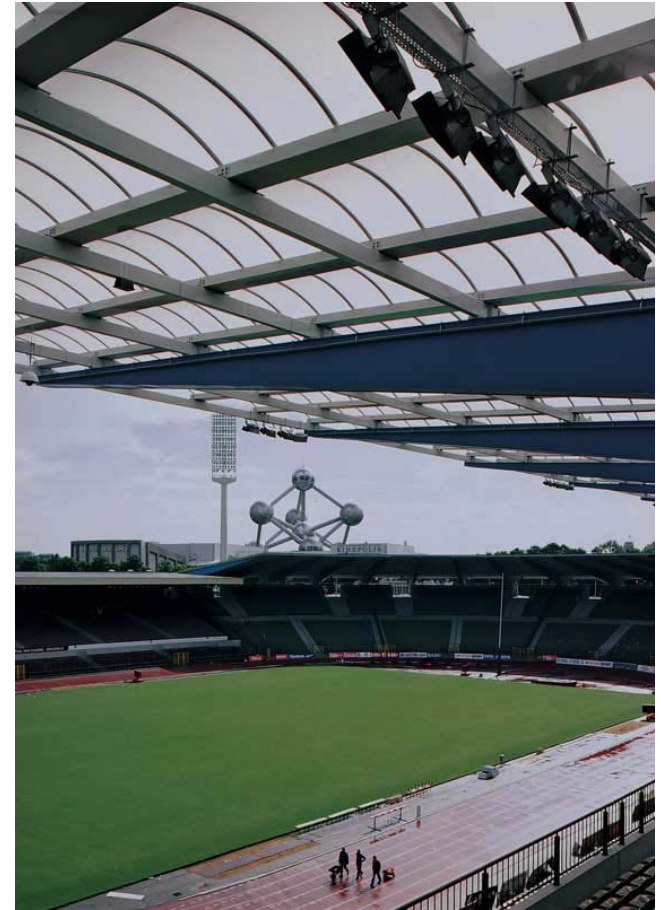
Year:

1996

Material:

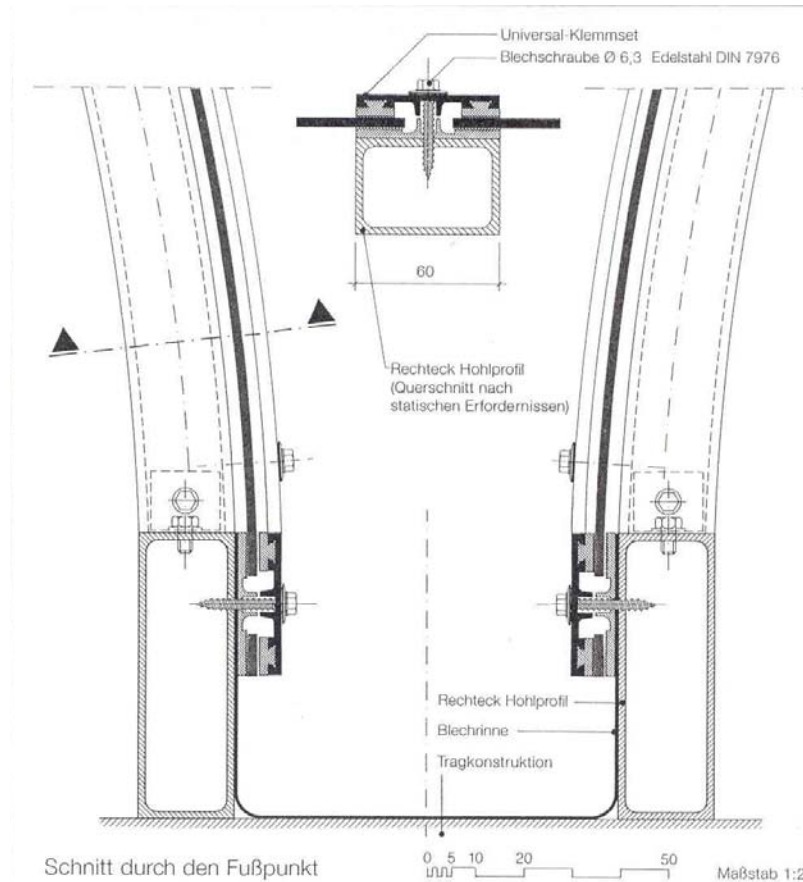
Makrolon multi UV clear

16 mm



Bayer Sheet Europe

Construction details



Stadium – Lushniki, Moscow (Russia)

Year:

1997

Material:

Makrolon multi UV
25 mm

Fabricator:

Agrisovgaz (Rus)





makrolon®

Stadium – Rosenborg, Trondheim (Norway)

Year:

2002

Material:

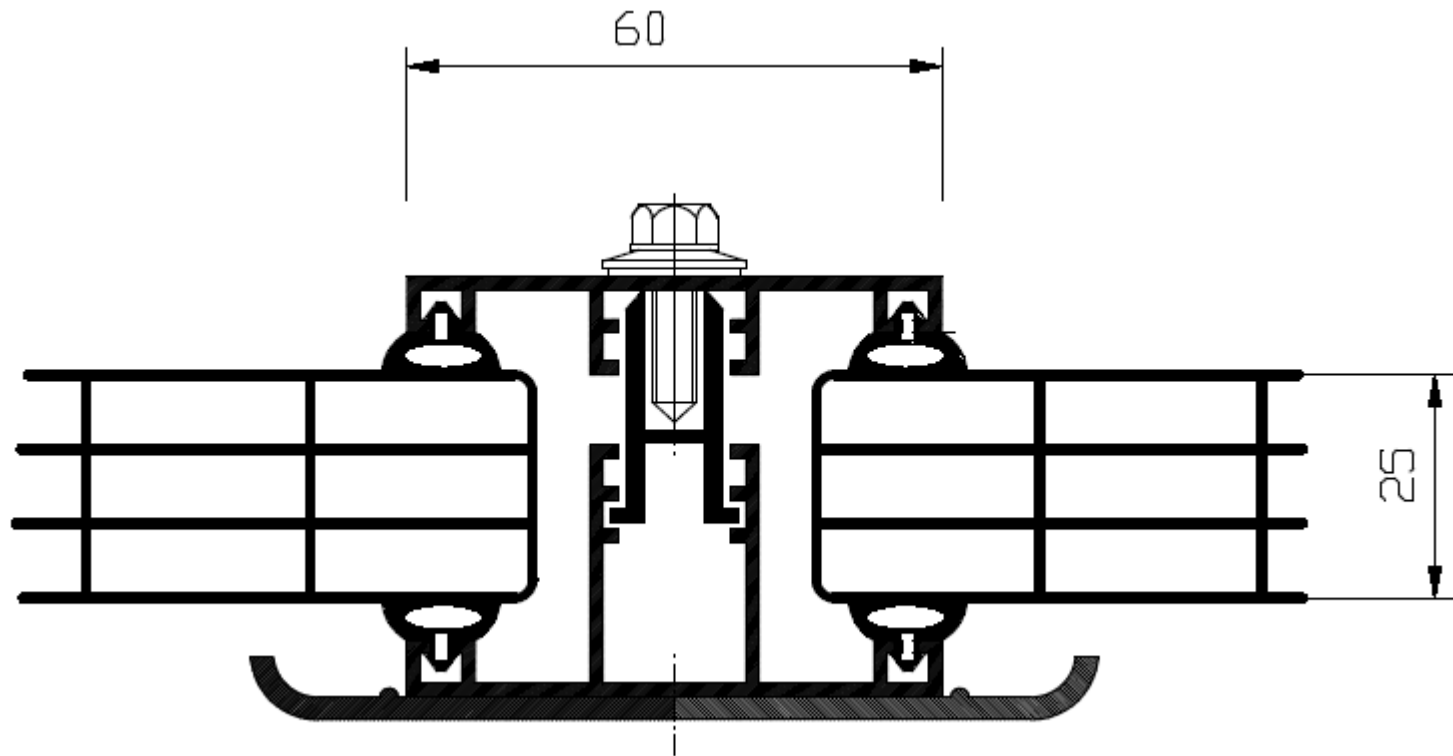
Makrolon multi UV

25 mm



Bayer Sheet Europe

Construction details





makrolon®

Stadium – Frankenstadion, Nürnberg (G)

Year:

1989

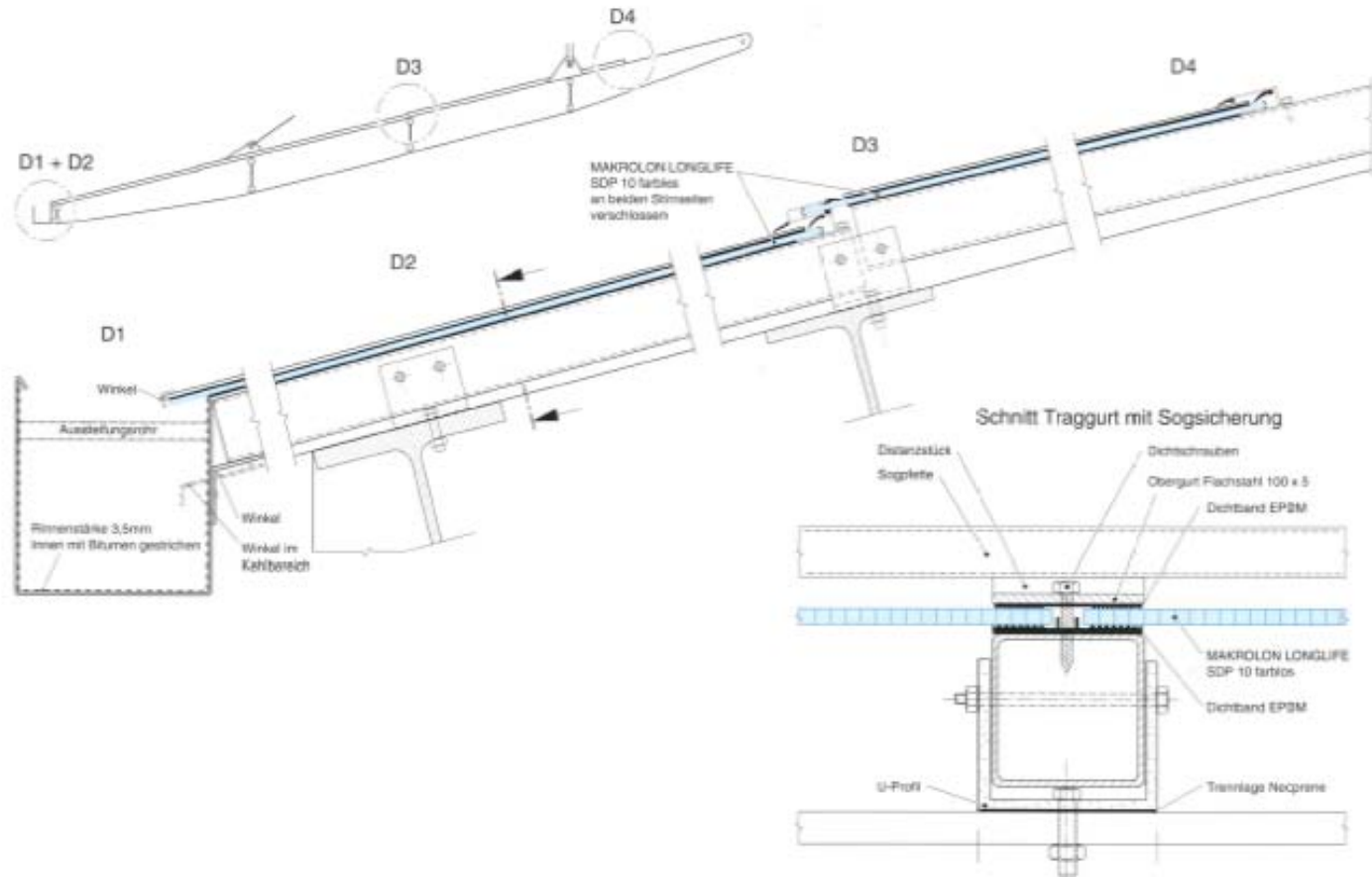
Material:

Makrolon multi UV

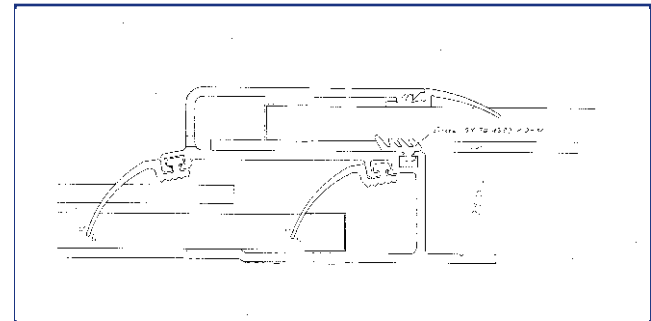
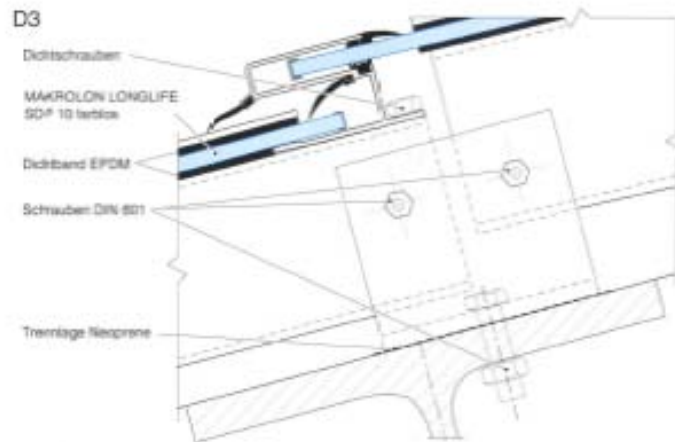


Bayer Sheet Europe

Construction details



Construction details





makrolon®

Power station – Enel, Priolo (Italy)

Year:

2003

Material:

Makrolon® multi UV, 25 mm



Bayer Sheet Europe

Court of justics, Pescara (Italy)

Year:

2000

Material:

Makrolon® multi UV
25 mm

